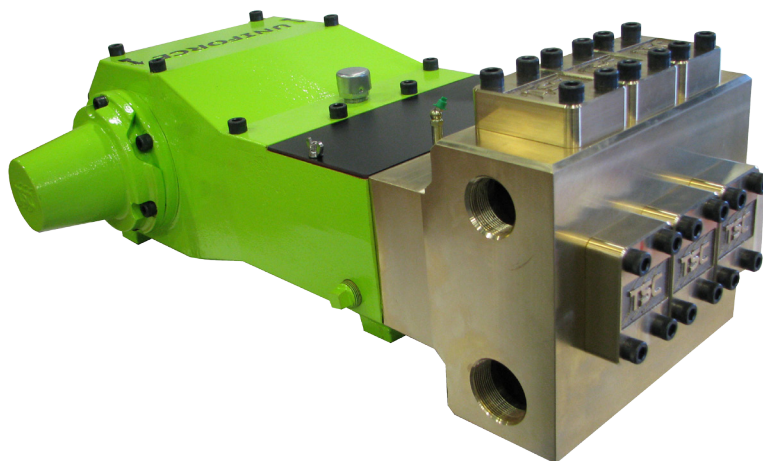


UNIFORCE™ UF-3040 PUMP



SPECIFICATIONS

CONFIGURATION	HORIZONTAL PLUNGER PUMP
Number of Plungers	3
Stroke Length	2.5" / 63.5 mm
Plunger Load	3,975 lbs
Pump Weight (avg.)	450 lbs / 204 kg
Max Speed	500 RPM
Minimum Speed	100 RPM
Max BHP	42
Mechanical Efficiency	90%
Lube System (Standard)	Splash - Gravity Feed-Rifle Drilled Crank Shaft for High Performance Lube
Lube System (Optional)	Forced Fed
Lube Oil Capacity	4 Quarts / 3.8 liters
Connection Sizes	2" NPT Suction, 1-1/2" NPT Discharge
Dual End Crank Shafts	Standard

FLUID END OPTIONS

Cast Ductile Iron
Cast Carbon Steel
Cast Aluminium Bronze (Mil Spec)
Cast Stainless Steel (316)
Cast Duplex Stainless Steel
Forged Carbon Steel
Forged Stainless Steel

VALVE OPTIONS

DISC TYPE	WING-GUIDED
Delrin Disc / SS (316)	Al-Bz
Delrin / Al-Bz	Monel
Delrin / Duplex SS	SS (316)
SS (316) / SS (316)	Duplex Stainless Steel
Titanium / SS (316)	SS (316) / AR Urethane Inserted
	Duplex SS / AR Urtheane Inserted

PLUNGERS OPTIONS

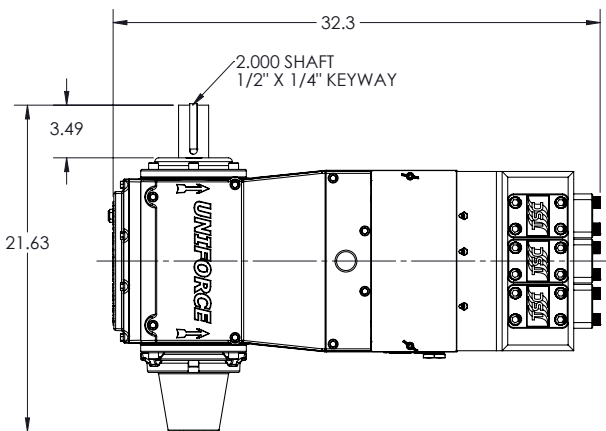
Colmonoy
Solid Ceramic
Solid 316 Stainless Steel
Tungsten Carbide



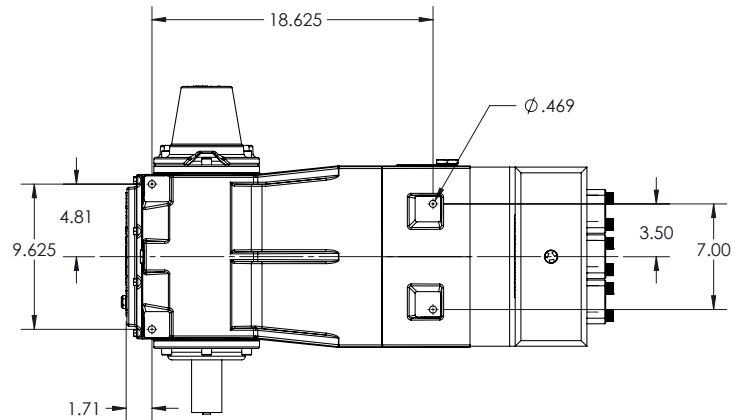
UNIFORCE™ PUMP UF-3040 PERFORMANCE RATINGS

Plunger Size	Max Press.	Disp Per Rev	Gallons Per Minute / Barrels Per Day															
			100 RPM		150 RPM		200 RPM		250 RPM		300 RPM		350 RPM		400 RPM		500 RPM *	
Inches	PSI	GAL	GPM	BPD	GPM	BPD	GPM	BPD	GPM	BPD	GPM	BPD	GPM	BPD	GPM	BPD	GPM	BPD
1.00	5,061	0.0255	2.5	87	3.8	131	5.1	175	6.4	219	7.6	262	8.9	306	10.2	350	12.7	437
1.25	3,239	0.0398	4.0	137	6.0	205	8.0	273	10.0	342	12.0	410	13.9	478	15.9	546	19.9	683
1.50	2,249	0.0574	5.7	197	8.6	295	11.5	393	14.3	492	17.2	590	20.1	689	22.9	787	28.7	984
1.75	1,653	0.0781	7.8	268	11.7	402	15.6	535	19.5	669	23.4	803	27.3	937	31.2	1,071	39.0	1,339
2.00	1,265	0.1020	10.2	350	15.3	525	20.4	700	25.5	874	30.6	1,049	35.7	1,224	40.8	1,399	51.0	1,749

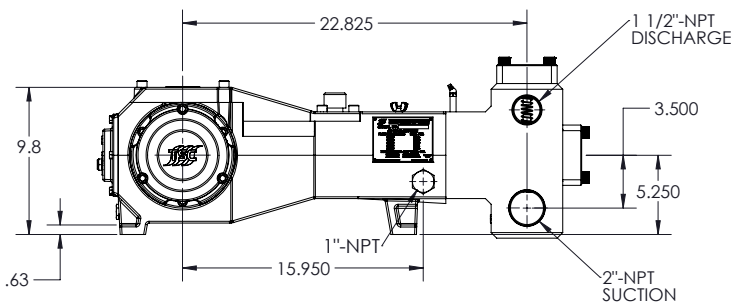
* Intermittent Duty only



TOP VIEW



BOTTOM VIEW



SIDE VIEW

All dimension in inches

