

# WORK FORCE™

## WFU450 Triplex Pump

### Specifications

Nominal input horsepower:	450
Maximum continuous pinion torque:	2,764 lb-ft
Maximum continuous pinion rpm:	855
Maximum strokes per minute:	155
Stroke length:	8.5 inches
Maximum piston diameter:	6 inches
Minimum piston diameter:	3 inches
Suction manifold:	6 inches with 150 pound flanges
Discharge manifold:	3 inches with 5,000 pound flanges
Pump weight dry:	9,000 pounds

### Standard Features

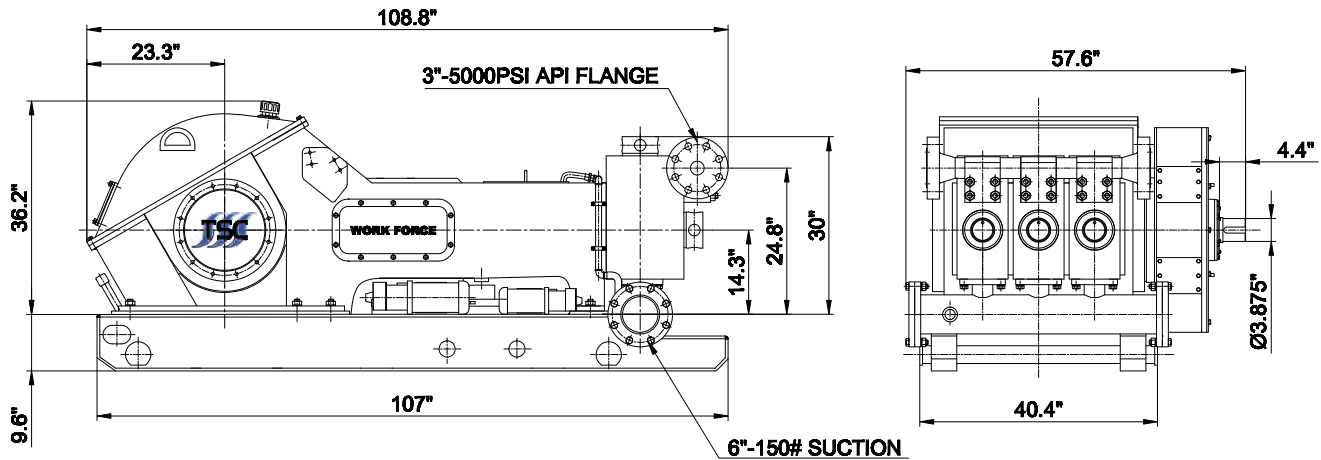
- Mirrored gear assembly
- Multiple pinion positions
- Small footprint with high horsepower-to-weight ratio
- Alloy steel fluid end with API standard valves and seats
- 20,000 hour minimum bearing L10 life
- Gears designed to AGMA 8 and 10 specifications
- Rigid fabricated pump frame and skid
- Fabricated high-strength alloy steel eccentric core
- High-strength alloy steel in all drive components
- Cast cross heads and guides
- External lubrication pump
- External liner wash pump
- PAH style fluid end standard

### Options

- Pulsation dampener
- Strainer cross
- Torque tube drive interface
- Pressure relief valve
- Pressure gauge
- Charge pump
- Custom skids
- Motor starters in explosion-proof enclosure
- Mechanically-driven external lube pumps
- Mechanically-driven liner wash pumps
- Other fluid end styles available



# WORK FORCE™ WFU450 Triplex Pump



WF450 Performance Characteristics		Pinion HP	90	150	210	270	330	390	450		
		Pinion Torque	2,764 lb-ft								
		Pinion RPM	171	285	399	513	627	741	855		
Piston Dia. (in.)	Pressure (psi)	Strokes (spm)	30	50	70	90	110	130	150		
3.0	5,000	Output (gpm)	24	39	55	70	86	101	117		
3.5	4,357		32	53	74	96	117	138	159		
4.0	3,336		42	69	97	125	153	180	208		
4.5	2,636		53	88	123	158	193	228	263		
5.0	2,135		65	108	152	195	238	282	325		
5.5	1,765		79	131	184	236	288	341	393		
6.0	1,483		94	156	218	281	343	406	468		

**Notes:**

- All data is subject to change without notice.
- All data is based on 100% or continuous duty cycle.
- Data is based on 90% mechanical and 100% volumetric efficiency.
- Minimum RPM or SPM:
  1. Electric Systems: 10% of the maximum
  2. Mechanical Systems: 50% of the maximum

